





Bolts Range



SWF has designed a range of bolts for slim door and window systems with an array of exclusive features.

Three standard lengths are available for all of Steel Window Fittings' bolts. If you require a bolt larger than 300mm, A bolt extension (Page 14) is available.

<b>Concealed Bolts</b>		<b>Pages 4 - 7</b>
<b>Face-Fix Bolts</b>		<b>Pages 8 - 11</b>
<b>Bolt Accessories</b>		<b>Pages 12 - 17</b>

# Contents

swf

STEEL WINDOW FITTINGS



B85F150, B85F300, B85F450

The logo consists of the lowercase letters 'swf' in a bold, sans-serif font, enclosed within a light green square border that is slightly offset from the corners.

STEEL WINDOW FITTINGS

# Concealed Bolts

---

The size, width, and height enable the bolts, in particular the “C” version, to operate within the concealed area of a double door or window.

The frame hides them from view and makes C bolts only accessible once the main leaf is open.

This not only benefits security but also creates an uncluttered appearance to the window or door.







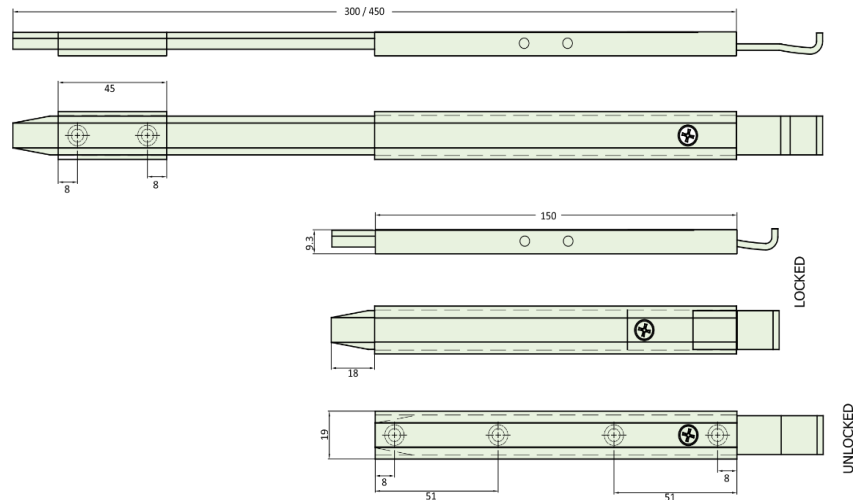
## B85C Concealed Slim Line Long Key Lockable Bolt

## PRODUCT FEATURES & TECHNICAL INFORMATION

- Concealed and slim-line bolt which sits neatly inside profile section
- For use on windows and doors
- Available in 3 sizes 150mm, 300mm and 450mm
- Use with B85C450 Extension Bolt for variable and increasing bolt lengths
- Key allows locking option for added security or can be used without locking feature
- Accessories include locking key, M4 fixing screws, concealed wedge and top hat wedge for face fix inward opening doors and windows
- B85PLT floor mounted keep can be ordered separately, mounts flush to the floor where a door threshold is not used
- Available in several finishes or matching RAL finish on request
- Complimentary window handles, peg stays, door handles and escutcheons



B85C Bolt & Accessories



Dimensions



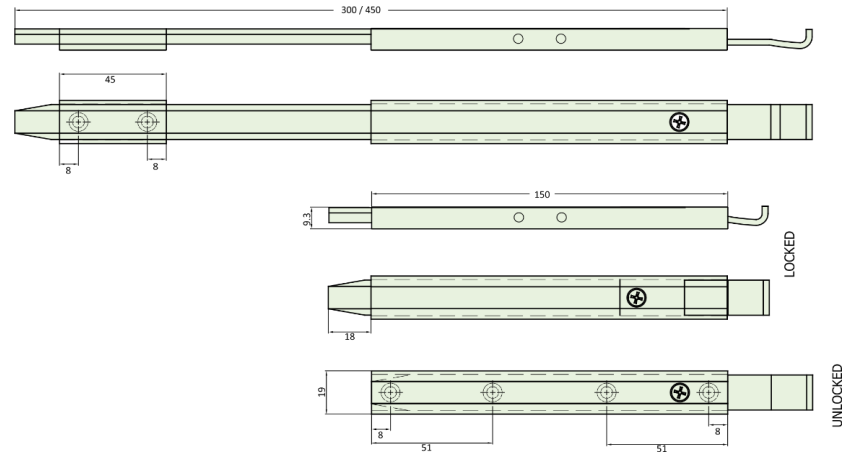
## B85CG Concealed Slim Line Grub Screw Bolt



B85CG Bolt & Accessories

## PRODUCT FEATURES & TECHNICAL INFORMATION

- Concealed and slim-line bolt which sits neatly inside profile section
- For use on windows and doors
- Available in 3 sizes 150mm, 300mm and 450mm
- Use with B85CG450 Extension Bolt for variable and increasing bolt lengths
- Grub Screw allows bolt to be locked in the closed position, can also be used to add friction if required
- Accessories include M4 fixing screws concealed wedge and top hat wedge for face fix inward opening doors and windows
- 2.5mm Allen Key required, available to order using ref B158-GRUB-KEY (see page 15)
- B85PLT floor mounted keep can be ordered separately, mounts flush to the floor where a door threshold is not used
- Available in several finishes or matching RAL finish on request
- Complimentary window handles, peg stays, door handles and escutcheons



Dimensions

The logo for 'swf' is enclosed in a light green square with a thin border. The letters 'swf' are in a lowercase, serif font.

STEEL WINDOW FITTINGS



## Face-Fixed Bolts

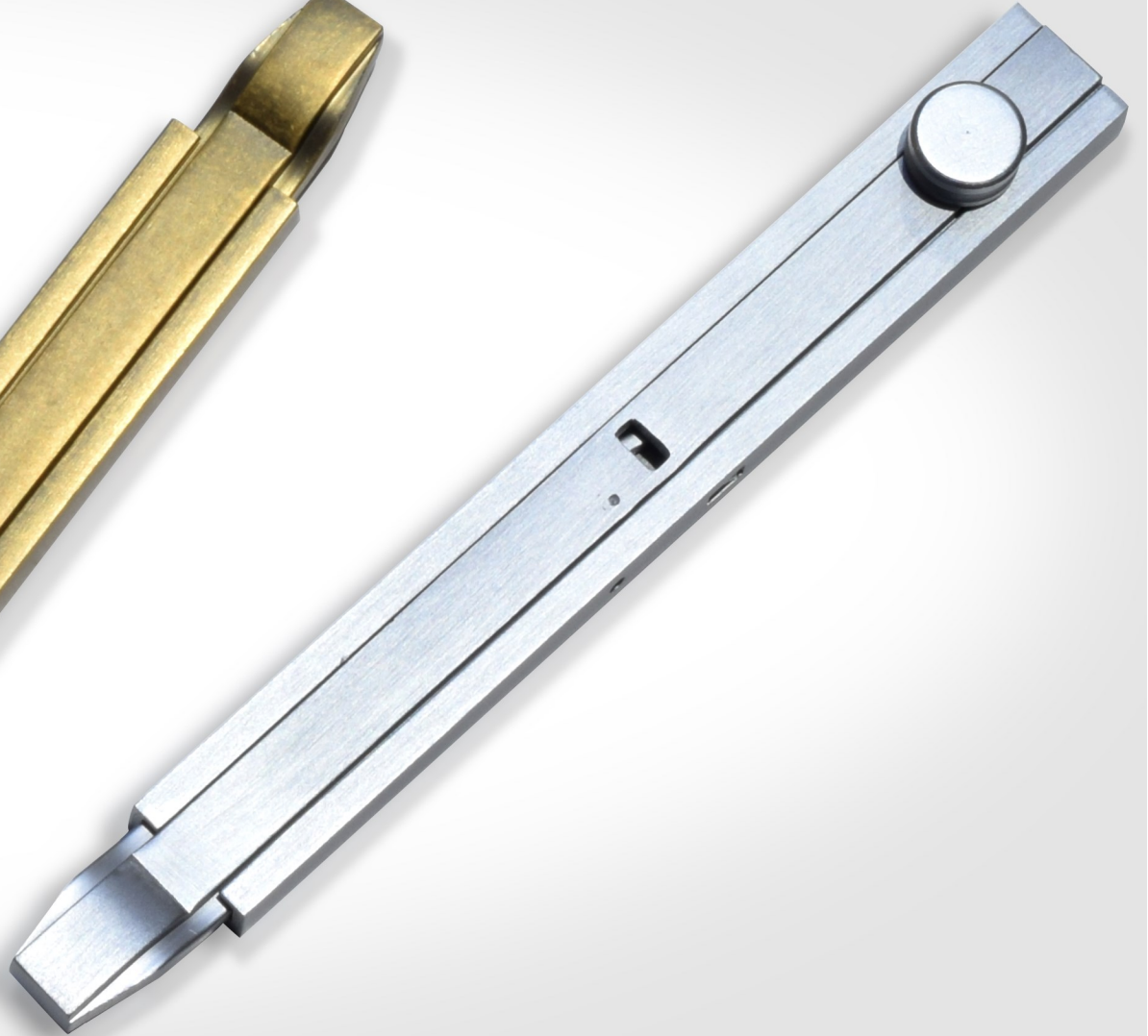
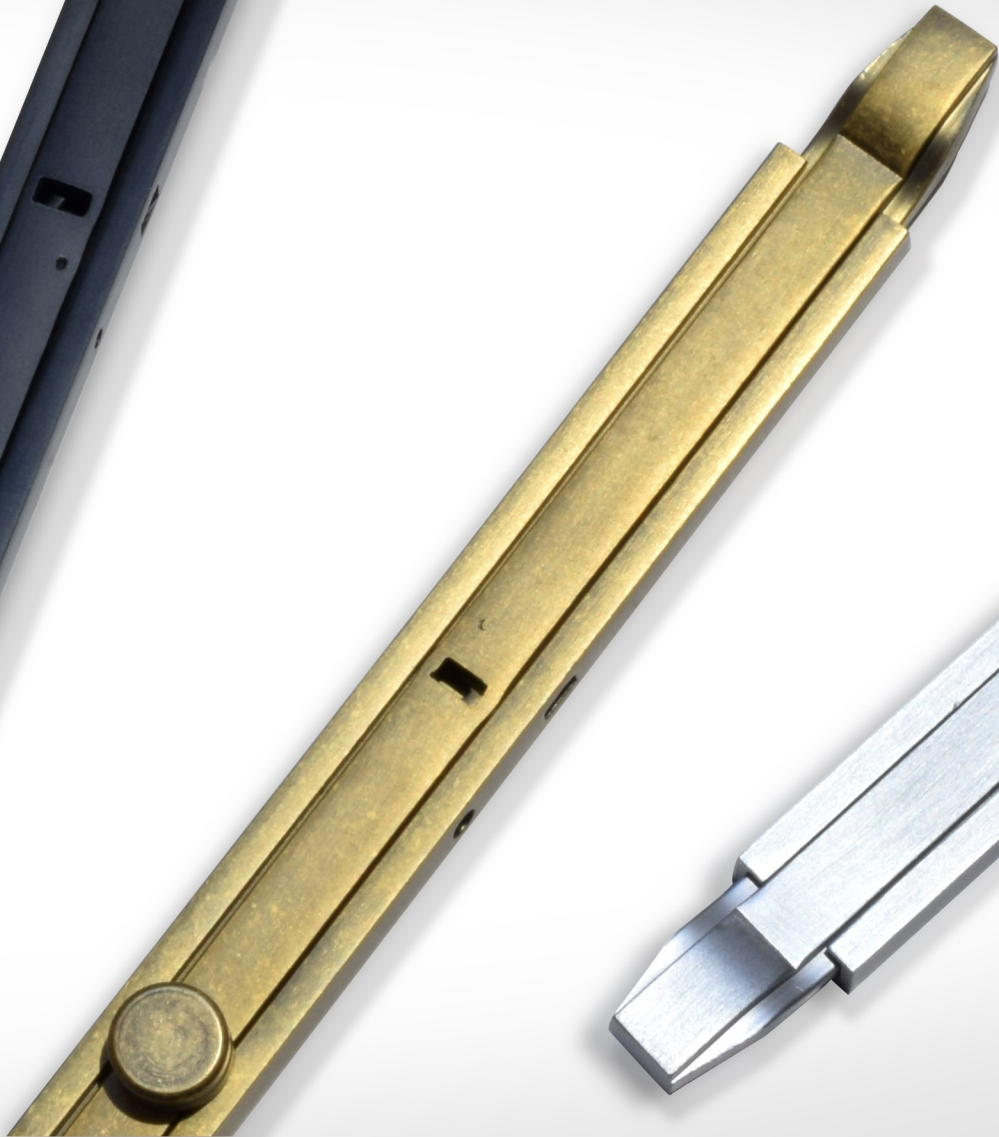
---

The “F” bolts (for Face-fix applications) allow fixing to the slimmest of profiles. Their slender size ensures harmony with each unique window or door.

They share the same numerous options and lengths as the “C” bolts, with the exception of extension options.









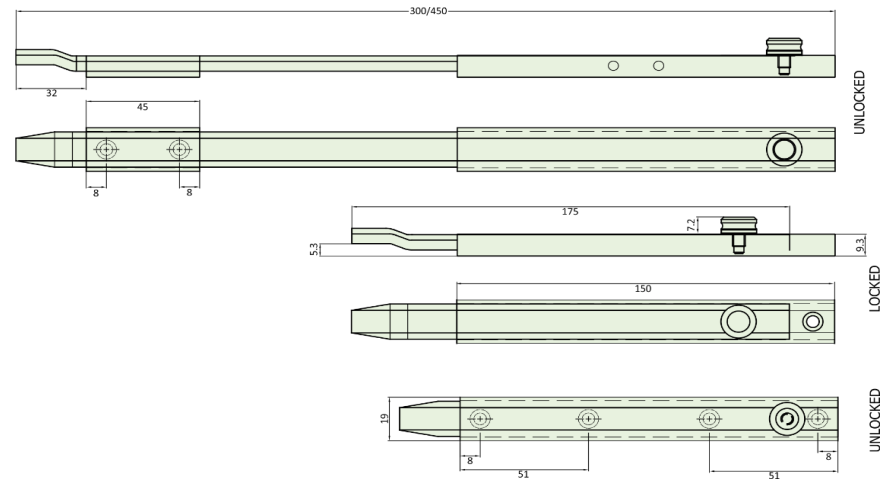
### B85F Face Mounted Slim Line Long Key Lockable Bolt



B85F Bolt & Accessories

## PRODUCT FEATURES & TECHNICAL INFORMATION

- Slim-line bolt which fits neatly on application
- For use on windows and doors
- Available in 3 sizes 150mm, 300mm and 450mm
- Key allows locking option for added security or can be used without locking feature
- Accessories include locking key, wedge and M4 fixing screws
- B85PLT floor mounted keep can be ordered separately, mounts flush to the floor where a door threshold is not used
- Available in several finishes or matching RAL finish on request
- Complimentary window handles, peg stays, door handles and escutcheons



Dimensions



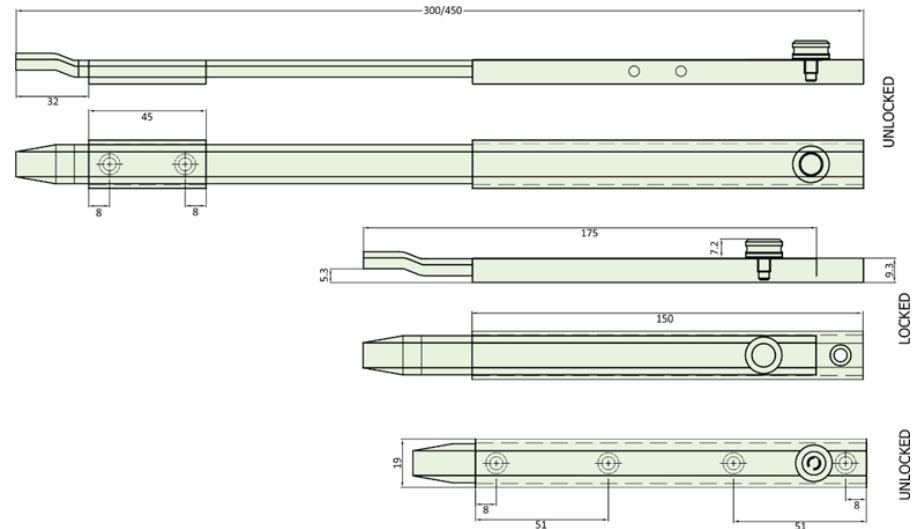
## B85FG Face Mounted Slim Line Grub Screw Bolt

## PRODUCT FEATURES & TECHNICAL INFORMATION

- Slim-line bolt which fits neatly on application
- For use on windows and doors
- Available in 3 sizes 150mm, 300mm and 450mm
- Grub Screw allows bolt to be locked in the closed position, can also be used to add friction if required
- Accessories include, wedge and M4 fixing screws
- 2.5mm Allen Key required, available to order using ref B158-GRUB-KEY (see page 15)
- B85PLT floor mounted keep can be ordered separately, mounts flush to the floor where a door threshold is not used
- Available in several finishes or matching RAL finish on request
- Complimentary window handles, peg stays, door handles and escutcheons available for suited look



B85FG Bolt and Accessories



Dimensions

The logo consists of the lowercase letters 'swf' in a bold, sans-serif font, enclosed within a light green square border that is slightly offset from the corners.

STEEL WINDOW FITTINGS

# Bolt Accessories

---

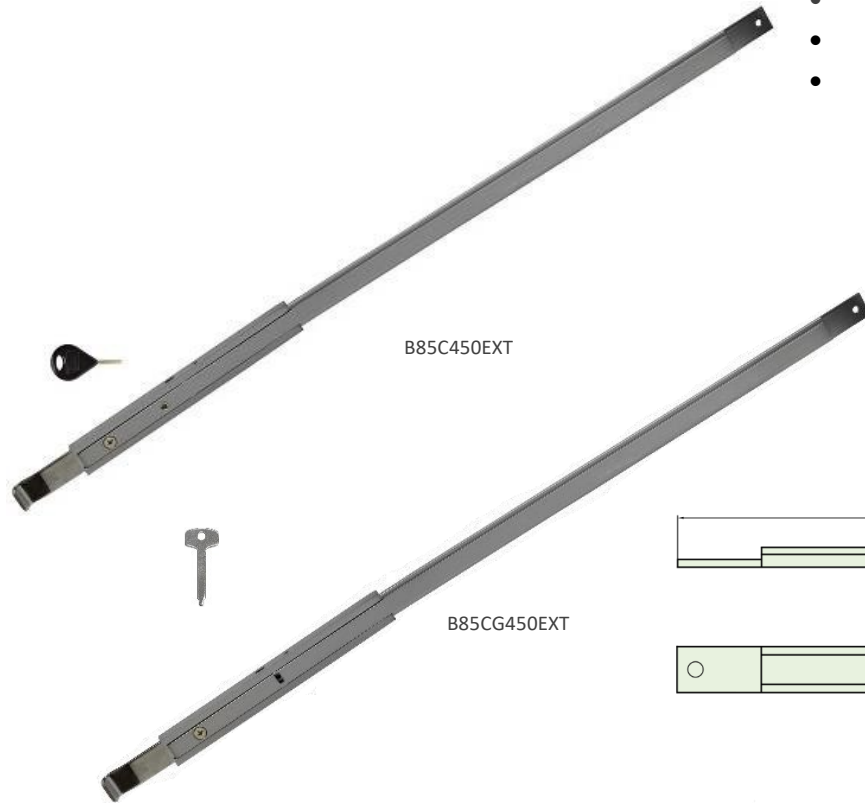
All are available in finishes to suite and match with corresponding door and/or window furniture.







## B85 Concealed 450mm Extension Bolt



## PRODUCT FEATURES & TECHNICAL INFORMATION

- Concealed and slim-line extension bolt which sits neatly inside profile section
- For use on large windows and doors where bolt length exceeds 450mm
- Use with B85C or B85CG concealed bolts to create desired bolt length
- B85C450EXT allows locking option for added security or can be used without locking feature, supplied with locking key and M4 fixing screws
- B85CG450EXT Grub Screw allows bolt to be locked in the closed position when using 2 or more extension bolts together. *We recommended placing at foot of setup to give additional friction and strength*, supplied with M4 fixing screws
- 2.5mm Allen Key required for B85CG450EXT, order using ref B158-GRUB-KEY
- Available in several finishes or matching RAL finish on request
- Complimentary window handles, peg stays, door handles and escutcheons available for suited look



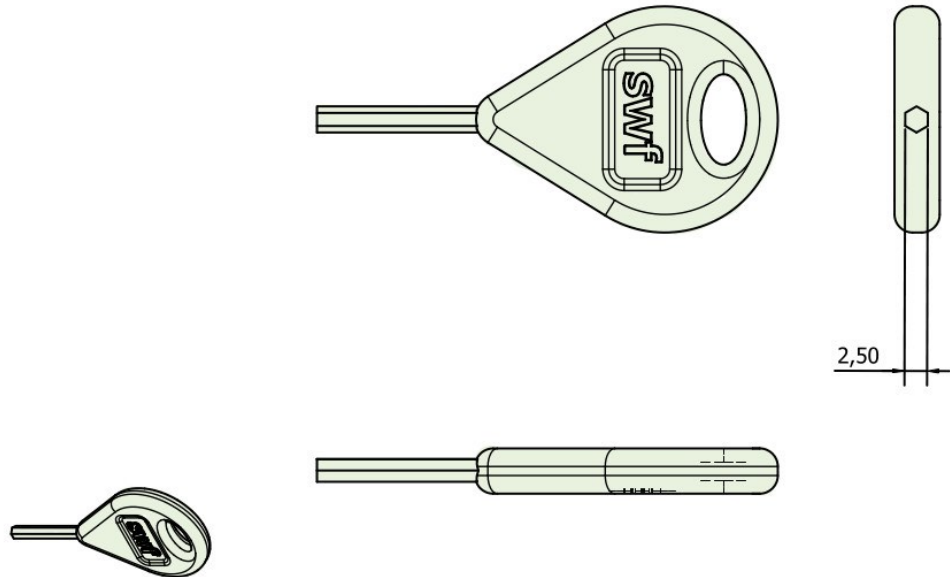
Dimensions



## PRODUCT FEATURES & TECHNICAL INFORMATION

- 2.5mm Allen key for grub screws.
- For use with our B85CG, B85FG and B158FG Window Handle

**B158 Grub Key**

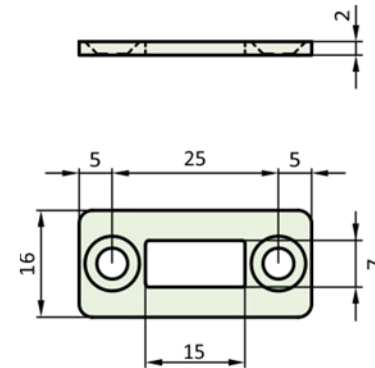




## B85PLT Floor Mounted Keep for Bolts

### PRODUCT FEATURES & TECHNICAL INFORMATION

- Floor mounted keep, suitable for use with our concealed (B85C) and face fixed (B85F) range of bolts
- Mounts flush to the floor where a door threshold is not used
- Use with B85C and B85F key-locking or B85CG and B85FG grub screw range of bolts, use with all lengths (150mm, 300mm and 450mm) *including where bolt extensions have been fitted*
- Suitable for M4 countersunk or No. 6 wood fixing screws
- Available in solid natural brass along with several finishes or matching RAL finish on request



Dimensions

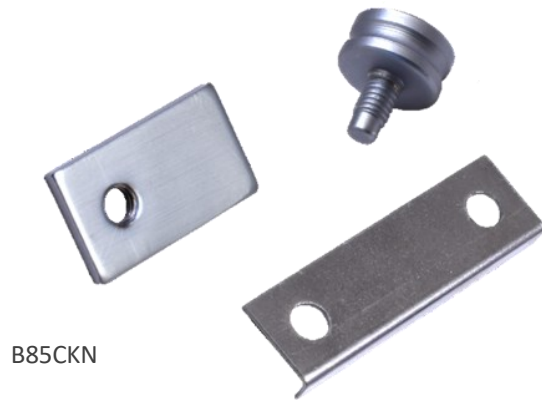




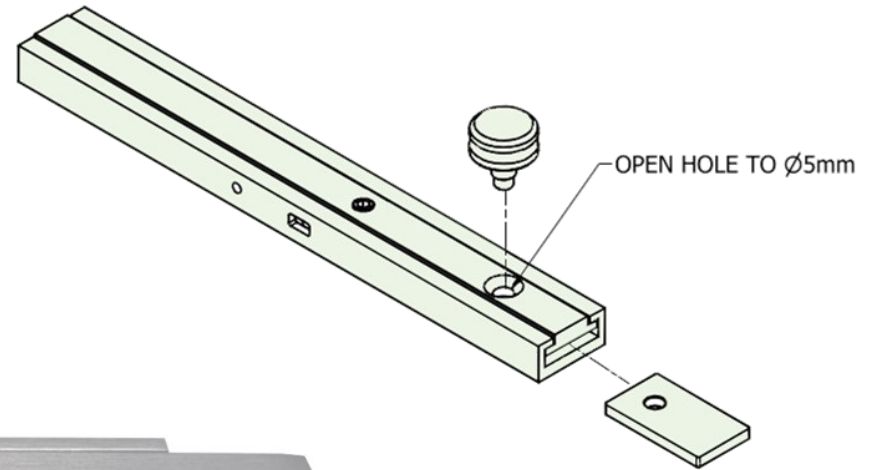
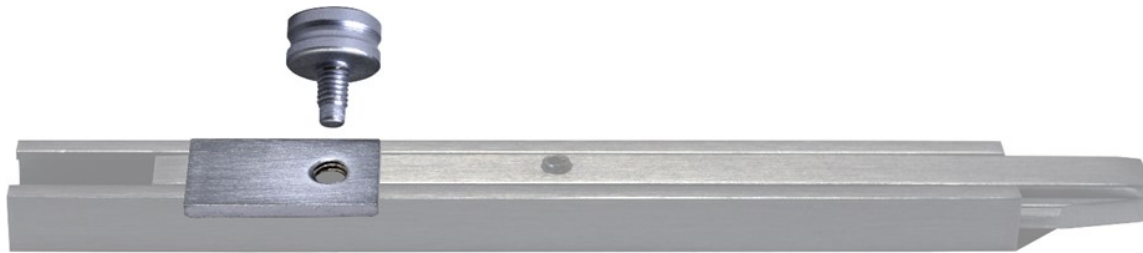
## PRODUCT FEATURES & TECHNICAL INFORMATION

- For use on windows and doors to convert concealed bolts from using a pull to a knob
- Useable on all sizes (150, 300 & 450mm) of B85C and B85CG bolts and extensions; B85C450EXT & B85CG450EXT
- Kit contains 3 parts: the knob, conversion plate and rub wedge
- Once the bolt has been converted it can be used with any of the 3 wedge accessories and optional floor plate
- For further information see Bolt datasheets and B85CKN conversion instruction
- Complimentary window handles, peg stays, door handles and escutcheons
- Available in several finishes or matching RAL finishes on request

### B85CKN – Pull to knob conversion kit



B85CKN



Dimensions

# Steel Window Fittings

Steel Window Fittings LTD,  
Unit 5, Bridge Business Park,  
Horsehay, Shropshire, TF4 3EE

[Info@steelwindowfittings.com](mailto:Info@steelwindowfittings.com)

+44 (0) 1952 794054

+44 (0) 1952 794154

[steelwindowfittings.com](http://steelwindowfittings.com)

Co. Reg No: 7614370 England

VAT Reg No: GB 114 4647 30



***This Catalogue supersedes all previous issues and can be subject to change without any prior notification. With our continuous product development we reserve the right to make modifications to our products which may include but not limited to specification, dimension and configuration changes without prior notice. This Catalogue is designed to provide you with useful information and pictures as guidance to help you choose the right products for your application. Whilst every care is taken to ensure accuracy of information contained at time of publication please note error & omissions expected (E&OE)***